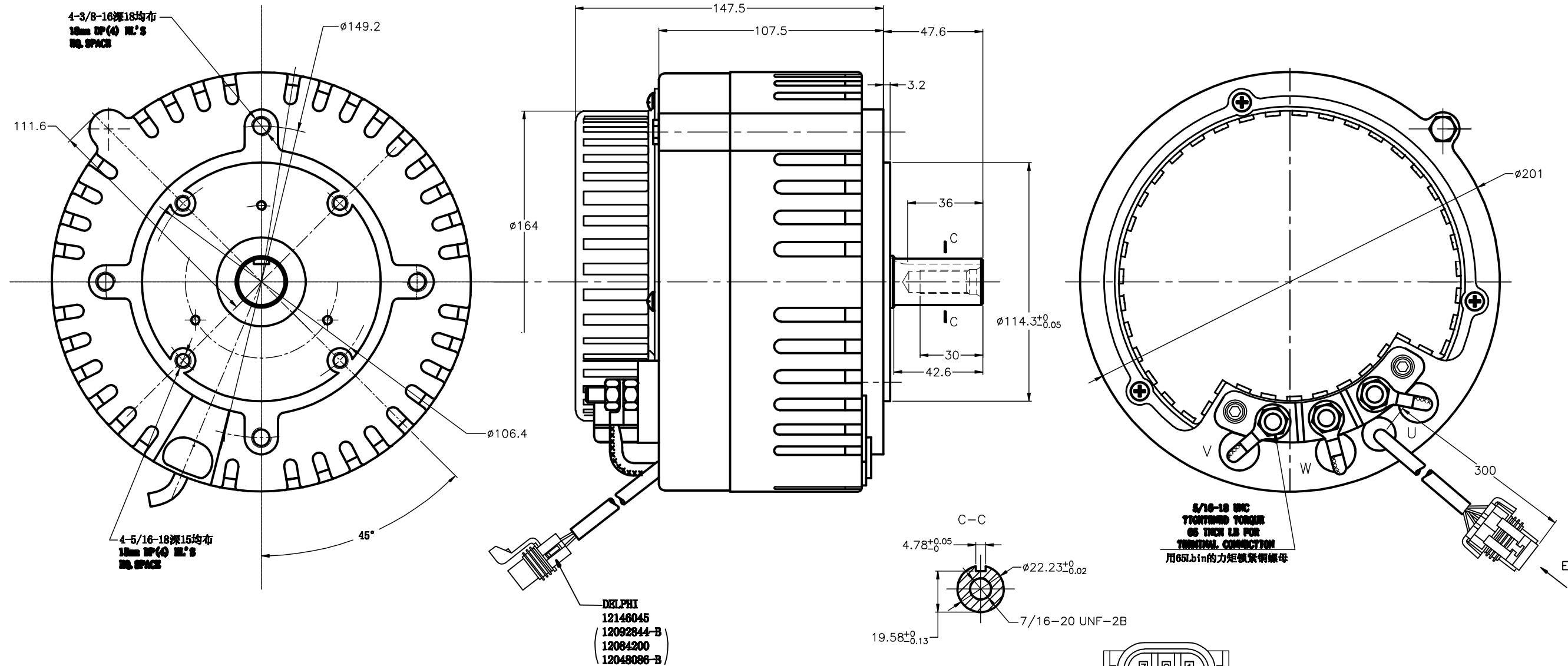


ME0201013001
QJVT. 300. 117

REV. SHEET
- 1

THE SIZES INDICATED ARE METRIC SIZE(mm).
图中标尺寸为米制尺寸. mm



NOTES:
 1. CCW FAN
 2. TURNS IS 20 PER PHASE
 3. Front bearing: NTN6006 LLUC3/5K (Made in Japan)
 4. Product to be shipped in plain white box, styrofoam packaging
 Include Dyno Plot of namecard for each motor.
 5. Box to be marked:
 Date Code: XXXXXX
 Part Number: ME0201013001
 Made in China

NAMECARD DATA
 PART # ME0201013001
 DATE CODE XXXXXX
 SERIAL #:XX.XX.XXXX
 Mars Electric LLC
 Milwaukee, WI USA

PIN LOCATION 插孔点	WIRE IDENTIFICATION 导线标记	WIRE COLOR 导线颜色	REMARKS 备注
1	S1 (U1)	WHITE	---
2	S2 (U2)	GREEN	---
3	S3 (U3)	BLUE	---
4	GND (0)	BLACK	SHOULD TIED TO THIS PIN
5	V _{in} (+12)	BROWN	---

REV.	CHANGES	BY	ECO NO.	DATE	DO NOT SCALE DRAWING THIS DRAWING IS PROPRIETARY PROPERTY OF MARS ELECTRIC LLC CORPORATION DISCLOSED IN CONFIDENCE, WHICH MAY NOT BE USED OR DISCLOSED WITHOUT PERMISSION. RETURN PROMPTLY AFTER USE.	DIMENSIONING AND TOLERANCING PER ANSI Y14.5M-1994	MATERIAL	TITLE	OUTLINE	Mars Electric LLC MILWAUKEE, WISCONSIN, U.S.A.
-	-	-	-	-	-	-	-	88L2000-20 永磁式无刷直立式电动机 外形图	05.09.23	DESIGN VENDOR: -
-	-	-	-	-	-	-	-	DRAWN: DONG	APPR: -	ME0201013001 QJVT. 300. 117
-	-	-	-	-	-	-	-	SCALE: -	-	REV. SHEET - 1